



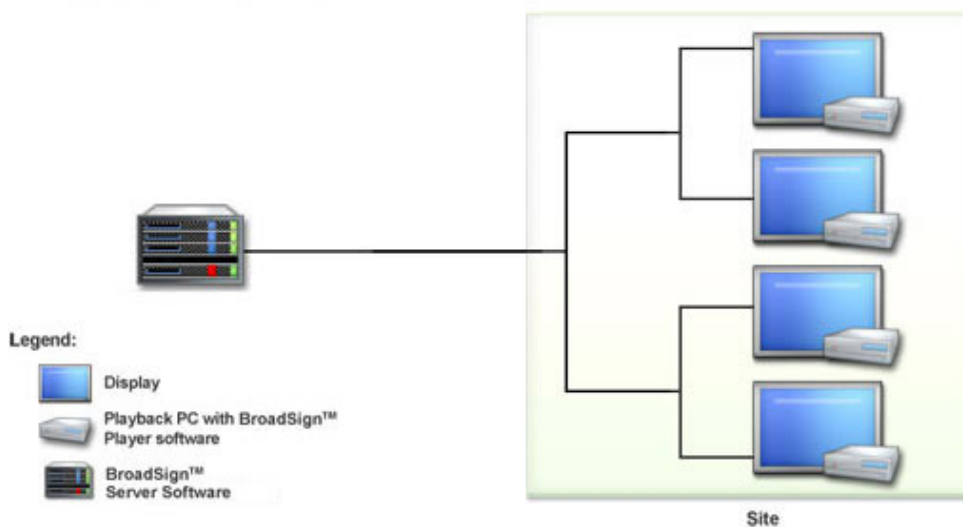
The BroadSign Edge Server

The **BroadSign Edge Server** software is used to reduce the consumption of Internet bandwidth by *BroadSign Players* in large digital signage networks.

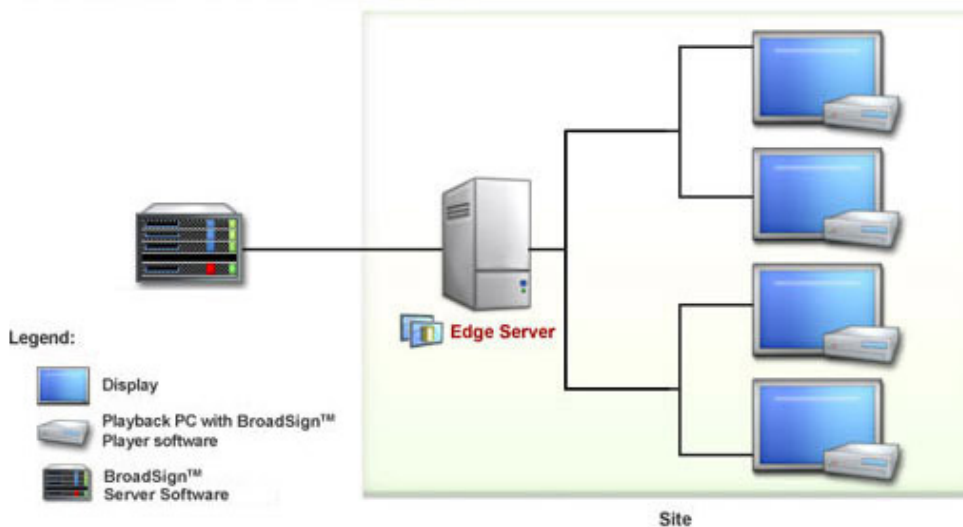
BroadSign Edge Servers are typically installed when a private network houses multiple *BroadSign Players* that play a high percentage of identical content. When an *Edge Server* is accessible, all *BroadSign Players* request content directly from the *BroadSign Edge Server*. Only when the *BroadSign Edge Server* does not have requested content will it fetch it from the *BroadSign Server*. This usually happens when content is requested for the first time, and can be delivered through the Internet or via satellite multicast, depending on the network's configuration.

Future requests for the same content by other *BroadSign Players* will be fulfilled through the private network by the *BroadSign Edge Server*. *BroadSign Edge Servers* improve the overall cost-efficiency of the *BroadSign Suite* by limiting the amount of traffic that occurs through the Internet or over satellite multicast.

Standard digital signage network:



Typical example of a network using a *BroadSign Edge Server*:



For more information please contact us at: welcome@broadsign.com
web site: www.broadsign.com